



DE-EP20VSIP
Emergency IP Phone
Vandal Proof



FEATURES

- ▶ Cold-roll steel body for easy Installation.
- ▶ Waterproof rating IP55 dust proof.
- ▶ Handset with Industrial strong armored cord.
- ▶ Support echo cancellation.
- ▶ Remote software upgrade, configuration and monitoring.

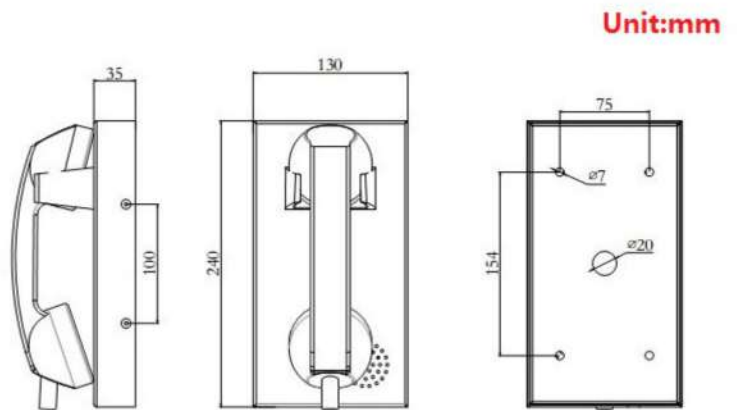
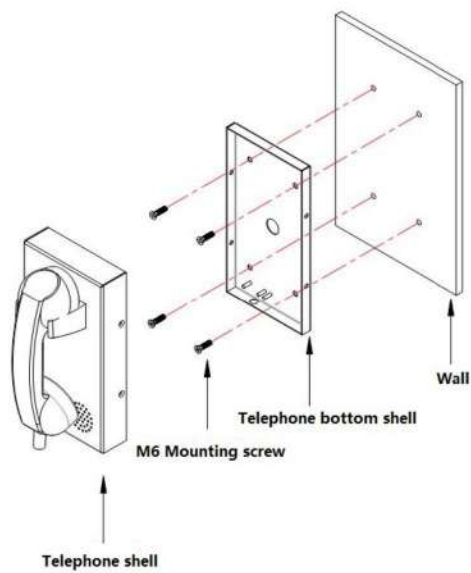
SPECIFICATION

Full duplex 2-way hands-free : Yes
Audio Codes : G.711, G.722, G.729
Echo Cancellation Code : Yes
Voice Over Internet Protocol : Yes
Session Internet Protocol : 2.0
Appliance : Public, Vandal proof
Application : Industrial Application
Programmable Autodial : Hot-Line Dialer
IP Protocols : IPV4, TCP, UDP, TFTP, RTP, RTCP, DHCP, SIP
Industrial Phone cord : Yes
Noise cancelling : Yes
Call Control Signaling : VoIP sip info(DTMF), RFC2833(DTMF)
Network Interface : RJ45 connectors
Handset : Heavy duty
Hearing aid : Yes (compatible)
POE : Yes (1 port)
WIFI : Yes (802.11a/b/g/n)
RJ45 : Yes (1 Port)
Battery : Yes (5000 MAh)
Wall Mount : Surface mount
Operating Temperature : 0°C to 45 °C
Storage Temperature: -10 °C to 60 °C

PRODUCT PARAMETERS



INSTALLATION



CERTIFICATION

CE, FCC, ROHS

*Please note that the product size and shape may vary from what is stated in the data sheet.